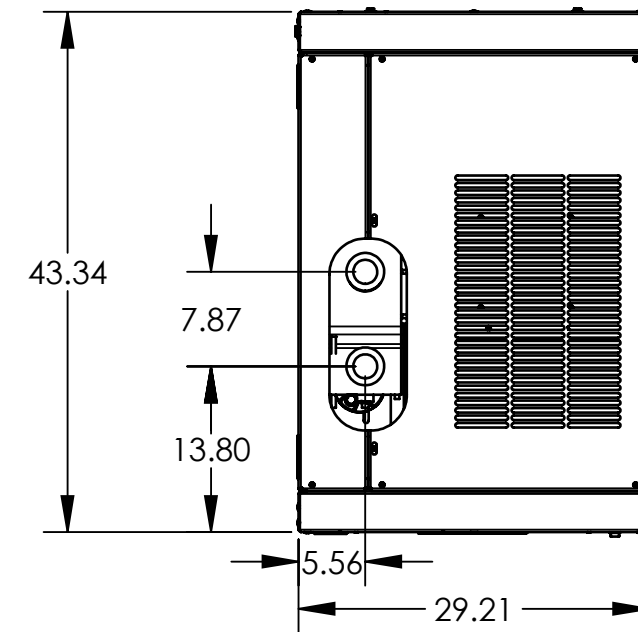
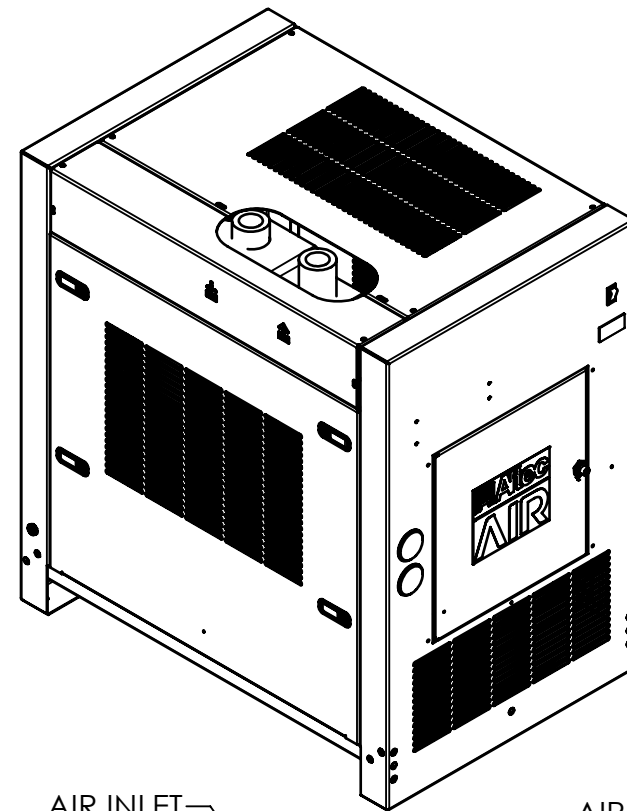
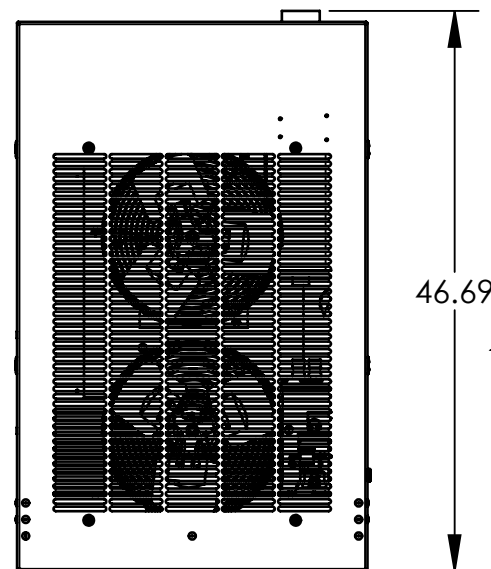


|                                  |               |
|----------------------------------|---------------|
| MODEL                            | RAD-0400A-4-D |
| VOLTAGE                          | 460V-3PH-60HZ |
| RLA                              | 8.1           |
| LRA                              | 39            |
| MCA                              | 7.1           |
| MOP                              | 20            |
| COMPRESSOR HP                    | 4-1/2         |
| COMPRESSOR                       | SCROLL        |
| REFRIGERANT                      | R449A         |
| REFRIGERANT CHARGE (OZ)          | 80            |
| MAX INLET AIR TEMP (F)           | 140           |
| MAX INLET AIR PRESSURE (PSI)     | 232           |
| MIN/MAX AMBIENT TEMP (F)         | 45/120        |
| REFRIGERANT PRESSURE RANGE (PSI) | 181/450       |
| INLET/OUTLET PORT (NPT)          | 2             |
| WEIGHT (LB)                      | 450           |



AIR INLET AIR OUTLET



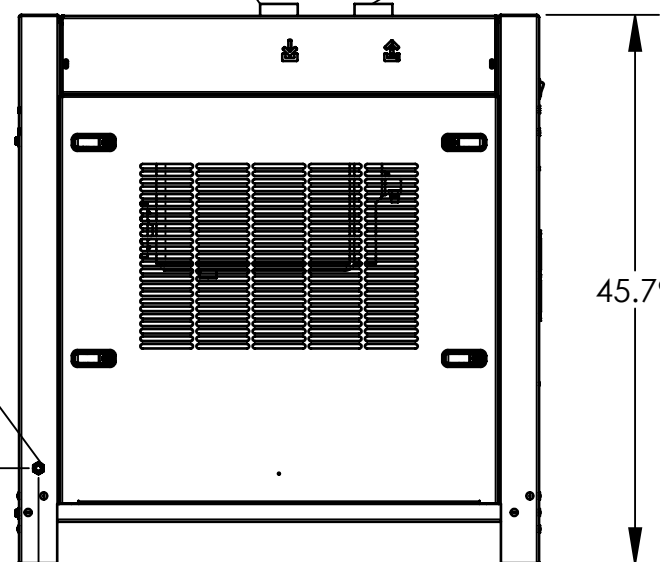
46.69

1/4 NPT DRAIN PORT

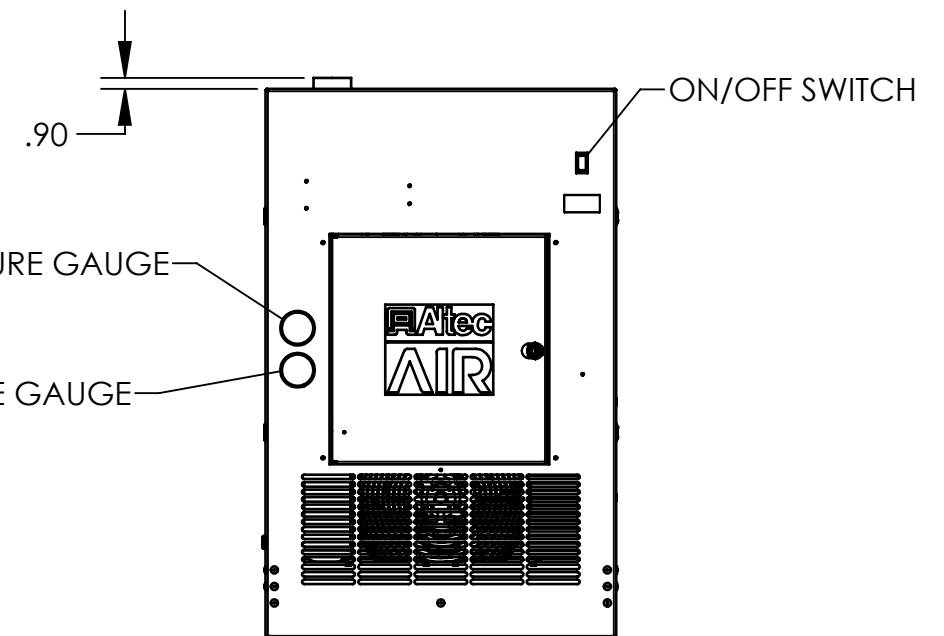
8.00

1.63

AIRFLOW



45.79



.90

ON/OFF SWITCH

SUCTION PRESSURE GAUGE

DISCHARGE GAUGE

|   |            |   |
|---|------------|---|
| DRAWN   | C.KURZ     | UNLESS OTHERWISE NOTED, TOLERANCES ARE:<br>FRACTIONS: $\pm 1/16$ ANGLES: $\pm 0^{\circ}30'$<br>DECIMAL: .X = $\pm .06$   .XX = $\pm .03$   .XXX = $\pm .015$   .XXXX = $\pm .0030$<br>MACHINED SURFACES: 125 MICRINCHES<br>THESE TOLERANCES DO NOT APPLY TO BASIC DIMENSIONS. |
| APPROVED  | -          |   |
| DATE  | 12/12/2023 |   |
| MATERIAL  | -          |   |
| FINISH  | -          |   |
| DO NOT SCALE THIS PRINT, REMOVE ALL BURRS & SHARP EDGES, ALL DIMENSIONS ARE IN INCHES.<br>CAD SOFTWARE: SOLIDWORKS.<br>DRAWING DIMENSIONED TO ALTEC STANDARD: CDS-0007.   |            |   |
| TITLE: DRYR-REFRIG; DIG-SCROLL; 400 SCFM; 460V/3PH; 60 HZ   |            |   |
| CONFIDENTIAL: This drawing and its contents are the proprietary and confidential information of Altec Industries, Inc. and are not to be reproduced, copied or publicly disclosed. If this drawing is provided to someone outside Altec, it is done so for the limited purpose of assisting that recipient with a technical or product issue. In receiving this drawing, the recipient agrees to maintain it in confidence and not to use it beyond the purpose previously stated. Recipient agrees not to reproduce, copy, or publicly disclose this drawing and its contents. |            |   |



| SCALE | WEIGHT | SIZE | NUMBER    | REV |
|-------|--------|------|-----------|-----|
| 1:16  |        | 2    | 100521272 | A   |